

Features

- 44 airjets release thousands of heated bubbles that surround, support, and massage the body.
- Variable-speed blower lets you adjust massage intensity to 18 levels.
- Automatic and manual purge cycles remove residual water from air channels after use.
- Lighted keypad control.
- 60-minute automatic shutoff timer.
- Safeguard® slip-resistant surface on bath floor.
- Integral lumbar support.
- Color-matched jet trim.

Material

- KOHLER® enameled cast iron.

Technology

- Heated BubbleMassage™ technology warms and humidifies air before it enters the bath.

Installation

- Drop-in or undermount.
- Reversible drain.
- Requires two 120V dedicated circuits.
- Requires K-23856 cable pop-up bath drain and K-23857 bath drain trim (sold separately).

Required Products/Accessories

K-23856 1-1/2" cable pop-up bath drain

or

K-23857 Bath drain trim

Recommended Products/Accessories

K-1172 Adjustable feet
K-1491 Bath/Whirlpool Pillow
K-1601 Bath/whirlpool footstop, removable
K-1705 Whirlpool/BubbleMassage™ Remote Control
K-586 Under-Mount Installation Kit
K-9498 3" Keypad Trim
K-1179 Vinyl Tiling-in Bead
K-23726 Drain treatment
K-23725 Cast iron cleaner



ADA

Codes/Standards

ASME A112.19.7/CSA B45.10

ASME A112.19.1/CSA B45.2

ASTM F462

UL 1795

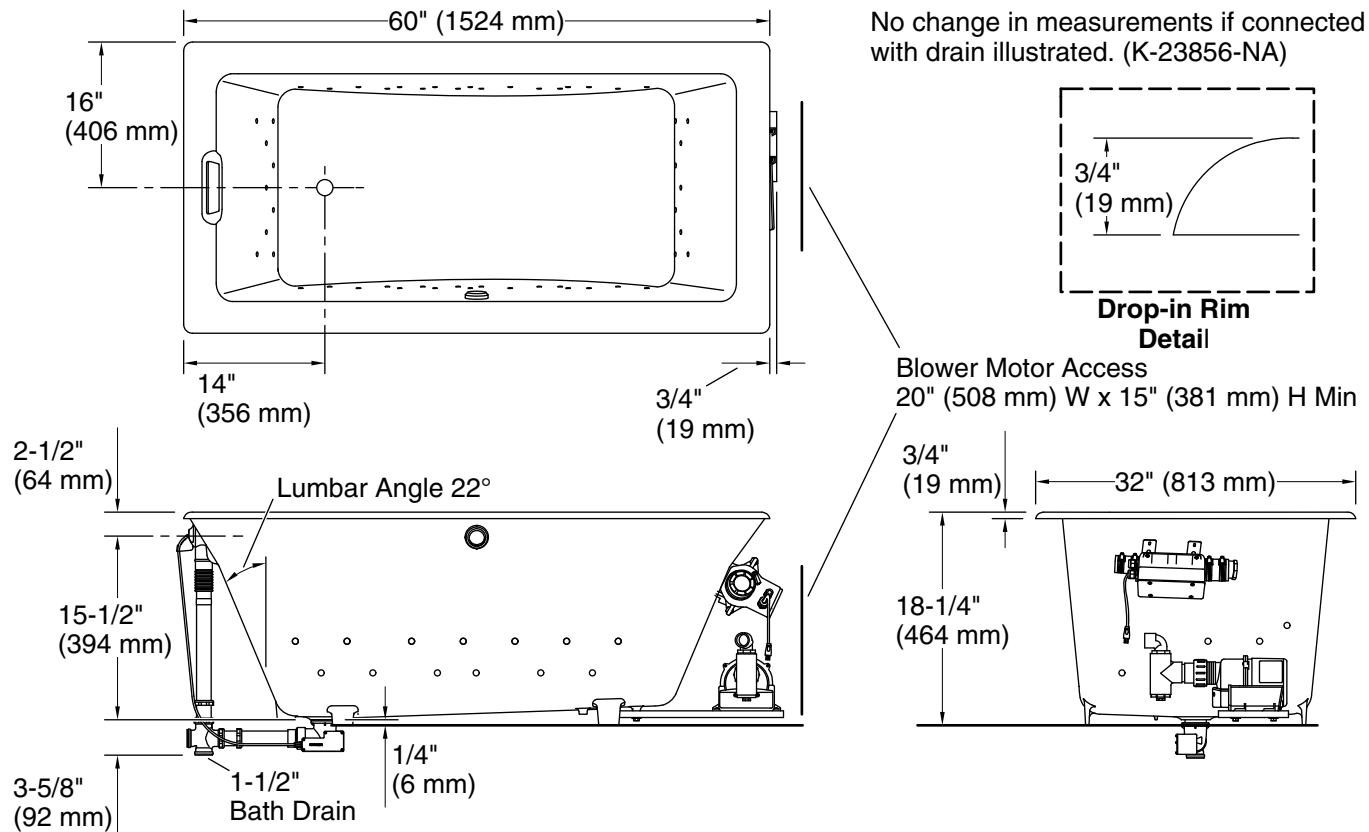
CSA C22.2 No. 218.2

ADA

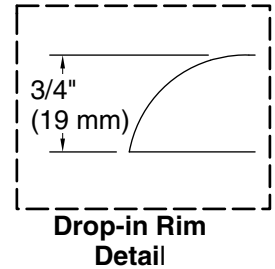
ICC/ANSI A117.1

KOHLER® Hydrotherapy Components Five-Year Limited Warranty

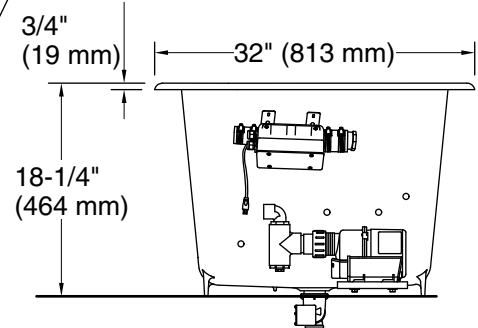
See website for detailed warranty information.



No change in measurements if connected with drain illustrated. (K-23856-NA)



Blower Motor Access
20" (508 mm) W x 15" (381 mm) H Min



Required Electrical Service

Two dedicated circuits required, protected with Class A Ground-Fault Circuit-Interrupter (GFCI). Outside North America, this device may be known as a Residual Current Device (RCD).

Blower: 120 V, 15 A, 60 Hz
Air bath: 120 V, 15 A, 60 Hz

Technical Information

All product dimensions are nominal.

Installation: Drop-in, Undermount
Drain location: End
Basin area, bottom: 40-1/2" x 20" (1029 mm x 508 mm)
Basin area, top: 52-3/4" x 24" (1340 mm x 610 mm)
Weight: 350 lbs (158.8 kg)
Minimum floor load: 60 lbs/ft² (292.9 kg/m²)
Water depth: 13-5/8" (346 mm)
Water capacity: 60 gal (227.1 L)
Cutout: Drop-in, 58-1/2" x 30-1/2" (1486 mm x 775 mm)
Template: K-586, required, not included
Electrical component rating: Blower: 120 V, 10 A, 60 Hz
Air bath: 120 V, 5 A, 60 Hz

Notes

Measure your actual product for rough-in details.

Install this product according to the installation instructions.

The hot water supply should be 70% of the capacity of the bath or greater. Installations will vary.

Kit is required for under-mount installations (sold separately).

If relocating the blower motor, do not relocate or alter the PVC tee or coiled flexible tubing connected to the blower. Follow the blower relocation instructions exactly. Provide access for servicing the blower.

ADA compliant when installed to the specific requirements of these regulations.